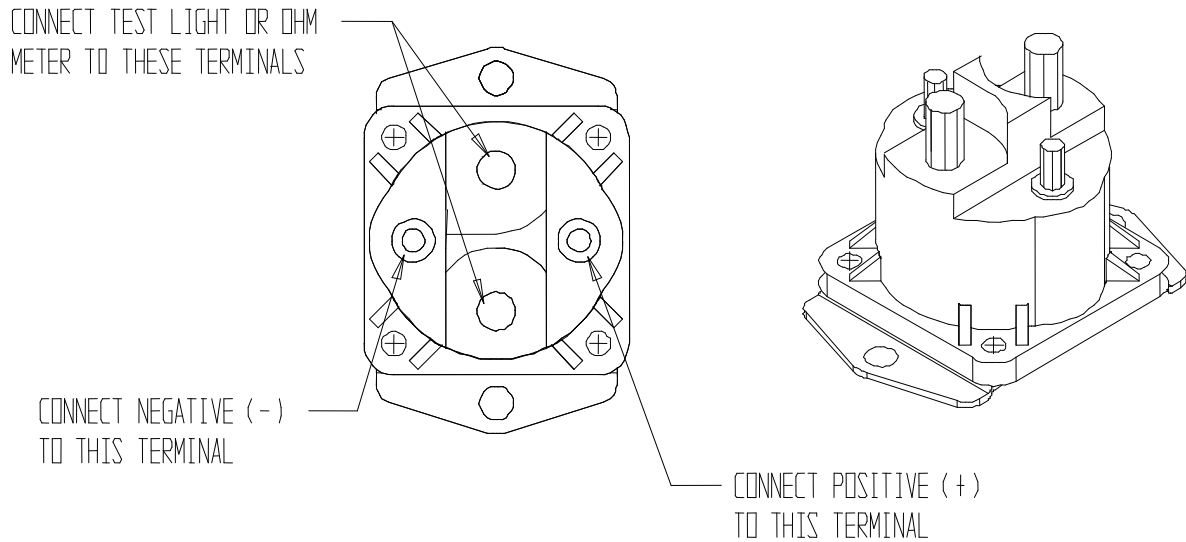


WARN UPRIGHT SOLENOID TEST PROCEDURE

(72631, 28396, 68379)



- 1) Connect a test light or an Ohm Meter to the main terminals as shown.
- 2) The test light should not illuminate or the Ohm Meter should read 1M Ohm or higher.
- 3) If test light illuminates or Ohm Meter displays less than 1M ohms, discard the solenoid.
- 4) Connect ground (0 VDC) to ground terminal.
- 5) Apply 12 VDC to the activating terminal. A click should be heard as the solenoid activates.
- 6) The Ohm Meter should read less than 1 ohm or the test light will illuminate.
- 7) If test light does not illuminate or Ohm Meter displays more than 1 ohm, discard the solenoid.